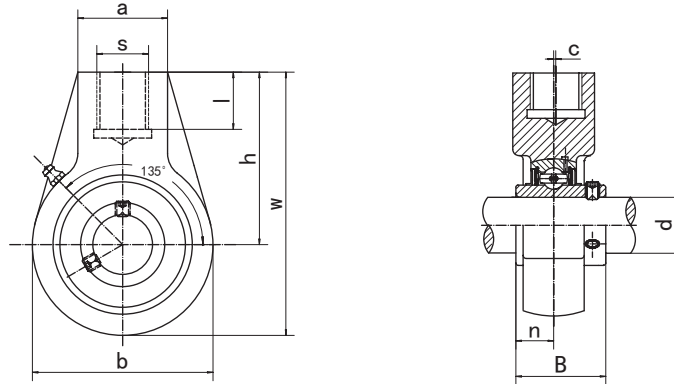


UCHA2 (Normal-duty)

Screw Conveyor Hanger Units



Unit NO.	Dimensions (mm / in.)										Bearing No.	Housing No.	Weight (kg)
	d	h	w	b	c	a	s	l	B	n			
UCHA201 201-8	12 1/2	64	96	64	0	40	G-3/4	19.0	31.0	12.7	UC201	HA201	0.64
201-8	UC201-8										0.63		
UCHA202 202-9	15 9/16										UC202		0.63
202-10	5/8										UC202-9		0.63
UCHA203 203-11	17 11/16	2-33/64	3-25/32	2-33/64	0	1-37/64	G-3/4	3/4	1 2205	0 500	UC203	HA203	0.62
203-11	UC203-11										0.61		
UCHA204 204-12	20 3/4										UC204		0.60
204-12	UC204-12										0.60		
UCHA205 205-13	25 13/16	64	103	78	0	40	G-3/4	19.0	34.1	14.3	UC205	HA205	0.79
205-13	UC205-13										0.83		
205-14	UC205-14										0.82		
205-15	UC205-15										0.80		
205-16	1	UC205-16	0.79										
UCHA206 206-17	30 1-1/16	64	103	78	0	40	G-3/4	19.0	38.1	15.9	UC206	HA206	0.78
206-17	UC206-17										0.79		
206-18	UC206-18										0.80		
206-19	UC206-19										0.78		
206-20	1-1/4	UC206-20	0.77										
UCHA207 207-20	35 1-1/4	70	116	92	0	40	G-3/4	19.0	42.9	17.5	UC207	HA207	1.10
207-20	UC207-20										1.16		
207-21	UC207-21										1.13		
207-22	UC207-22										1.10		
207-23	1-7/16	UC207-23	1.07										
UCHA208 208-24	40 1-1/2	73	121	96	2.0	40	G-3/4	19.0	49.2	19.0	UC208	HA208	1.22
208-24	UC208-24										1.26		
208-25	1-9/16										UC208-25		1.23
UCHA209 209-26	45 1-5/8	82	136	108	5.0	48	G1	21.0	49.2	19.0	UC209	HA209	1.71
209-26	UC209-26										1.81		
209-27	1-11/16										UC209-27		1.77
209-28	1-3/4										UC209-28		1.73
UCHA210 210-29	50 1-13/16	83	142	118	5.0	48	G1	21.0	51.6	19.0	UC210	HA210	2.04
210-29	UC210-29										2.16		
210-30	1-7/8										UC210-30		2.11
210-31	1-15/16										UC210-31		2.06
210-32	2	UC210-32	2.02										
UCHA211 211-32	55 2	87	150	126	7.0	60	G1-1/4	25.0	55.6	22.2	UC211	HA211	2.45
211-32	UC211-32										2.60		
211-33	2-1/16										UC211-33		2.54
211-34	2-1/8										UC211-34		2.50
211-35	2-3/16	UC211-35	2.43										
UCHA212 212-36	60 2-1/4	102	173	142	9.0	60	G1-1/4	28.0	65.1	25.4	UC212	HA212	3.56
212-36	UC212-36										3.69		
212-37	2-5/16										UC212-37		3.61
212-38	2-3/8										UC212-38		3.54
212-39	2-7/16	UC212-39	3.47										
UCHA213 213-40	65 2-1/2	117	200	166	9.5	70	G1-1/2	32.0	65.1	25.4	UC213	HA213	5.44
213-40	UC213-40										5.53		
213-41	2-9/16										UC213-41		5.44
UCHA214 214-42	70 2-5/8	117	200	166	9.5	70	G1-1/2	32.0	74.6	30.2	UC214	HA214	5.46
214-42	UC214-42										5.67		
214-43	2-11/16										UC214-43		5.57
214-44	2-3/4										UC214-44		5.47
UCHA215 215-45	75 2-13/16	117	200	166	9.5	70	G1-1/2	32.0	77.8	33.3	UC215	HA215	5.41
215-45	UC215-45										5.41		
215-46	2-7/8										UC215-46		5.66
215-47	2-15/16										UC215-47		5.55
215-48	3	UC215-48	5.35										